



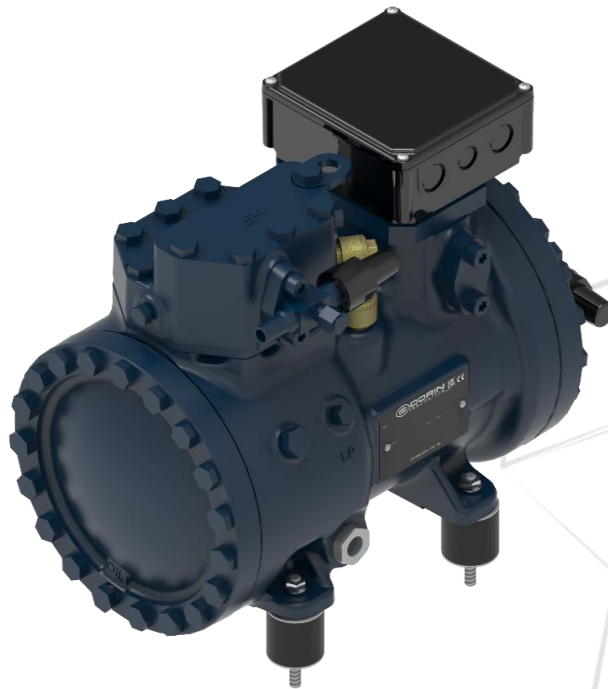
OFFICINE MARIO DORIN SINCE 1918

**DORIN**<sup>®</sup>  
INNOVATION

## ESPLOSO Commerciale

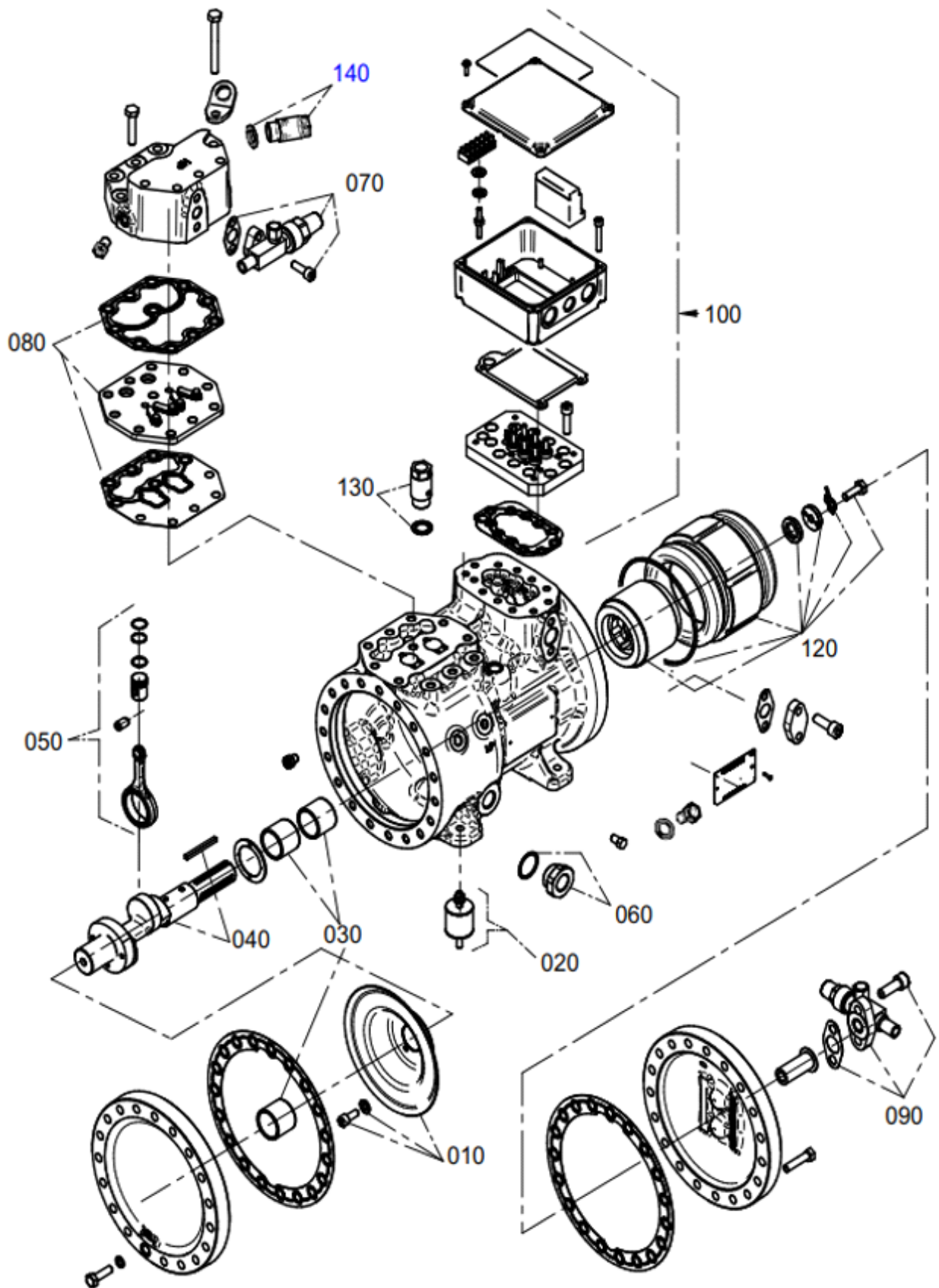
COMMERCIAL EXPLODED VIEW

## CDO



**SEMI-HERMETIC MOTOR COMPRESSORS**  
**MOTOCOMPRESSORI SEMIERMETICI**

# CDO



# CDO

Ref												Codice	Descrizione	Description	
	CDO 8-0.8M	CDO 10-0.8H	CDO 15-1.1M	CDO 18-1.1H	CDO 18-1.5M	CDO 30-1.5H	CDO 30-1.9M	CDO 35-1.9H	CDO 35-2.4M	CDO 36-2.4H	CDO 36-3.0M				CDO 38-3.0H
010	1	1	1	1	1	1	1	1	1	1	1	1	1MKD051	Disco sbattolio	Oil centrifugal disk
020	1	1	1	1	1	1	1	1	1	1	1	1	1CC5035	Kit sospensioni compl.	Vibration damper kit compl.
030	1	1	1	1	1	1	1	1	1	1	1	1	1CKJ520	Kit bronzine + rasamento	Bushing + thrust kit
040	1	1	-	-	-	-	-	-	-	-	-	-	1MKA251	Albero completo c.13	Complete shaft c.13
040	-	-	1	1	1	1	-	-	-	-	-	-	1MKA252	Albero completo c.17	Complete shaft c.17
040	-	-	-	-	-	-	1	1	1	1	1	1	1MKA253	Albero completo c.22	Complete shaft c.22
050	-	-	2	2	-	-	-	-	-	-	-	-	1MKM083	Kit biella - pistone D22 C17	Conn.rod. - piston compl. D22 C17
050	-	-	-	-	2	2	2	2	-	-	-	-	1MKM084	Kit biella - pistone D25 C17-22	Conn.rod. - piston compl. D25 C17-22
050	-	-	-	-	-	-	-	-	2	2	-	-	1MKM087	Kit biella - pistone D28 C22	Conn.rod. - piston compl. D28 C22
050	-	-	-	-	-	-	-	-	-	-	2	2	1MKM088	Kit biella - pistone D31 C22	Conn.rod. - piston compl. D31 C22
060	1	1	1	1	1	1	1	1	1	1	1	1	1LSK039*	Spia olio completa	Oil sight glass
060	1	1	1	1	1	1	1	1	1	1	1	1	1CC020*	Spia olio completa	Oil sight glass
070	1	1	1	1	1	1	1	1	1	1	1	1	1RKA005	Rubinetto di mandata	Discharge service valve
080	1	1	1	1	1	1	-	-	-	-	-	-	1PKP132	Piastra valvole D.22-25	Complete valve plate D.22-25
080	-	-	-	-	-	-	1	1	1	1	-	-	1PKP133	Piastra valvole D25-28	Complete valve plate D25-28
080	-	-	-	-	-	-	-	-	-	-	1	1	1PKP134	Piastra valvole D31	Complete valve plate D31
090	1	1	1	1	1	1	-	-	-	-	-	-	1RKA005	Rubinetto aspirazione	Suction service valve
090	-	-	-	-	-	-	1	1	1	1	1	1	1RKA006	Rubinetto aspirazione	Suction service valve
100	1	1	1	1	1	1	1	1	1	1	1	1	1RKJ093	Scatola att.el.+piastra	Electrical plate and box
120	1	-	-	-	-	-	-	-	-	-	-	-	1RKK190	Roto-statore 0,8HP-220/380/3/50Hz TE	Stator-rotor 0,8HP-220/380/3/50Hz TE
120	-	1	-	-	-	-	-	-	-	-	-	-	1RKK191	Roto-statore 1,0HP-220/380/3/50Hz TE	Stator-rotor 1,0HP-220/380/3/50Hz TE
120	-	-	1	-	-	-	-	-	-	-	-	-	1RKK192	Roto-statore 1,5HP-220/380/3/50Hz TE	Stator-rotor 1,5HP-220/380/3/50Hz TE
120	-	-	-	1	1	-	-	-	-	-	-	-	1RKK193	Roto-statore 1,8HP-220/380/3/50Hz TE	Stator-rotor 1,8HP-220/380/3/50Hz TE
120	-	-	-	-	-	1	1	-	-	-	-	-	1RKK194	Roto-statore 3,0HP-220/380/3/50Hz TE	Stator-rotor 3,0HP-220/380/3/50Hz TE
120	-	-	-	-	-	-	-	1	1	-	-	-	1RKK195	Roto-statore 3,5HP-220/380/3/50Hz TE	Stator-rotor 3,5HP-220/380/3/50Hz TE
120	-	-	-	-	-	-	-	-	-	1	1	-	1RKK196	Roto-statore 3,6HP-220/380/3/50Hz TE	Stator-rotor 3,6HP-220/380/3/50Hz TE
120	-	-	-	-	-	-	-	-	-	-	-	1	1RKK197	Roto-statore 3,8HP-220/380/3/50Hz TE	Stator-rotor 3,8HP-220/380/3/50Hz TE
120	1	-	-	-	-	-	-	-	-	-	-	-	1RKK210	Roto-statore 0,9HP-220/380/3/60Hz TE	Stator-rotor 0,9HP-220/380/3/60Hz TE
120	-	1	-	-	-	-	-	-	-	-	-	-	1RKK211	Roto-statore 1,2HP-220/380/3/60Hz TE	Stator-rotor 1,2HP-220/380/3/60Hz TE
120	-	-	1	-	-	-	-	-	-	-	-	-	1RKK212	Roto-statore 1,8HP-220/380/3/60Hz TE	Stator-rotor 1,8HP-220/380/3/60Hz TE
120	-	-	-	1	1	-	-	-	-	-	-	-	1RKK213	Roto-statore 2,1HP-220/380/3/60Hz TE	Stator-rotor 2,1HP-220/380/3/60Hz TE
120	-	-	-	-	-	1	1	-	-	-	-	-	1RKK214	Roto-statore 3,6HP-220/380/3/60Hz TE	Stator-rotor 3,6HP-220/380/3/60Hz TE
120	-	-	-	-	-	-	-	1	1	-	-	-	1RKK215	Roto-statore 4,2HP-220/380/3/60Hz TE	Stator-rotor 4,2HP-220/380/3/60Hz TE
120	-	-	-	-	-	-	-	-	-	1	1	-	1RKK216	Roto-statore 4,6HP-220/380/3/60Hz TE	Stator-rotor 4,6HP-220/380/3/60Hz TE
120	-	-	-	-	-	-	-	-	-	-	-	1	1RKK217	Roto-statore 4,8HP-220/380/3/60Hz TE	Stator-rotor 4,8HP-220/380/3/60Hz TE
130	1	1	1	1	1	1	1	1	1	1	1	1	1LKV034	Valvola di sicurezza di bassa pressione	Low pressure safety valve
140	1	1	1	1	1	1	1	1	1	1	1	1	1LKV035	Valvòla di sicurezza di alta pressione	High pressure safety valve

\*PER COMPRESSORI PRECEDENTI AL 02/2026 FORNIRE IL NUMERO DI MATRICOLA  
 \*FOR COMPRESSORS MANUFACTURED BEFORE 02/2026 PLEASE PROVIDE THE SERIAL NUMBER

# CDO

Ref	CDO 8-0.8M	CDO 10-0.8H	CDO 15-1.1M	CDO 18-1.1H	CDO 18-1.5M	CDO 30-1.5H	CDO 30-1.9M	CDO 35-1.9H	CDO 35-2.4M	CDO 36-2.4H	CDO 36-3.0M	CDO 38-3.0H	Codice	Descrizione	Description
-----	------------	-------------	-------------	-------------	-------------	-------------	-------------	-------------	-------------	-------------	-------------	-------------	--------	-------------	-------------

## Accessori

	1	1	1	1	-	-	-	-	-	-	-	-	1CCM590	Serie completa guarnizioni D22	Complete gasket set D22
	-	-	-	-	1	1	1	1	-	-	-	-	1CCM591	Serie completa guarnizioni D25	Complete gasket set D25
	-	-	-	-	-	-	-	-	1	1	-	-	1CCM592	Serie completa guarnizioni D28	Complete gasket set D28
	-	-	-	-	-	-	-	-	-	-	1	1	1CCM593	Serie completa guarnizioni D31	Complete gasket set D31
	1	1	1	1	1	1	1	1	1	1	1	1	2EG2020	Resistenza carter 220V	Crankcase heater 220V
	1	1	1	1	1	1	1	1	1	1	1	1	2EG1050	Resistenza carter 110V	Crankcase heater 110V
	1	1	1	1	1	1	1	1	1	1	1	1	2EG1080	Resistenza carter 24V	Crankcase heater 24V
	1	1	1	1	1	1	1	1	1	1	1	1	2CC3110	Modulo per termistori	Thermistors module

# CD0-NOTE



OFFICINE MARIO DORIN S.p.A.

Via Aretina 388, 50061 Compiobbi - Florence, Italy

Tel. +39 055 62321 1 - Fax +39 055 62321 380

[dorin@dorin.com](mailto:dorin@dorin.com) [www.dorin.com](http://www.dorin.com)



## DORIN WEB SOFTWARE

**Open the camera app on your device and point it at the QR code to scan it. Make sure that all the four corners of the QR code are in view. A pop-up notification will appear on your screen, tap the notifications to launch the code.**

Open the camera app on your device and point it at the QR code to scan it. Make sure that all the four corners of the QR code are in view. A pop-up notification will appear on your screen, tap the notifications to launch the code.

/ Open the camera app on your device and point it at the QR code to scan it. Make sure that all the four corners of the QR code are in view. A pop-up notification will appear on your screen, tap the notifications to launch the code. / Open the camera app on your device and point it at the QR code to scan it. Make sure that all the four corners of the QR code are in view. A pop-up notification will appear on your screen, tap the notifications to launch the code.