

OFFICINE MARIO DORIN SINCE 1918

DORIN[®]
INNOVATION

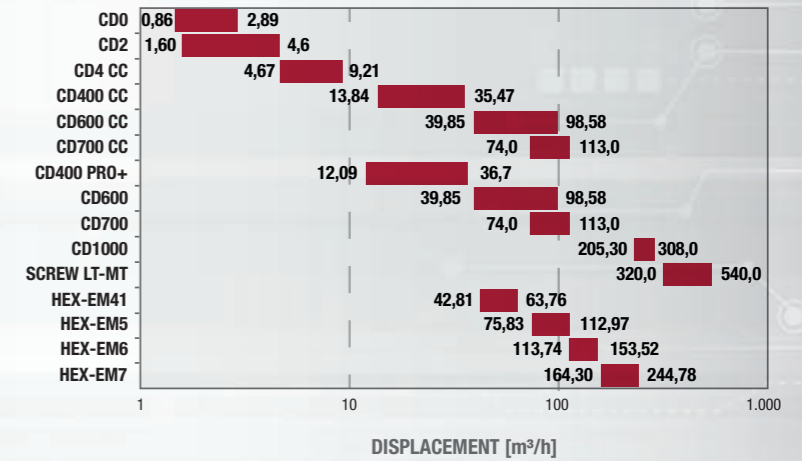
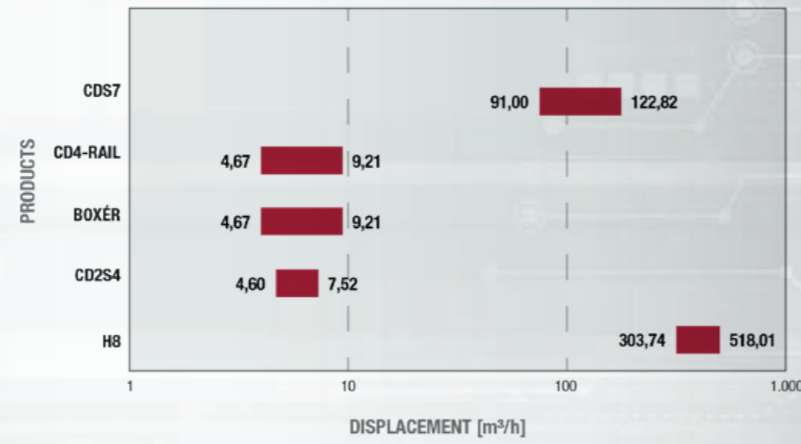
NEWS

A LEGEND IN PROGRESS



2026

DORIN a LEGEND in PROGRESS



2016

2021

DORIN celebrates **30 years**
in R&D of CO₂ products

DORIN introduces two new CO₂
compressors ranges,
CD PRO and **CD PRO+**

2022

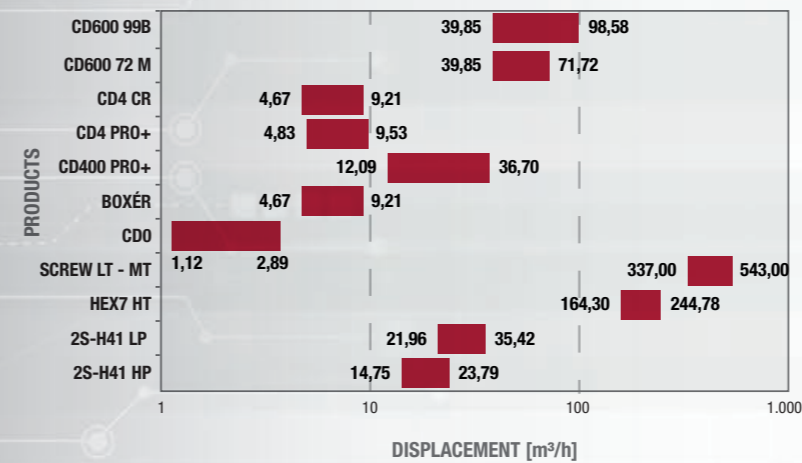
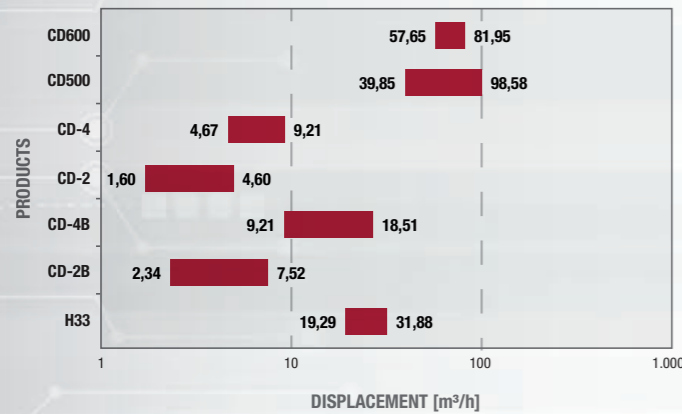


CD6 1600-72H



2024/2025

After the presentation in 2024 of the new Range **HEX-EM** for HC high temperature heat pump, the Range **CD1000** ideal for district heating and large industrial projects (i.e. mining, data centers) and the Range of **SCREW** compressors, originated from the top research of R&D department. Dorin innovative and dynamic R&D process never stops and in 2025 has upgraded the CO₂ Range with the capacity control named **CD400 CC**, **CD600 CC** and **CD700 CC**. But it wasn't enough and Dorin introduced new products from the Series CO₂ named Range **CD2** small highly efficient compressors for condensing units and Range **BOXÉR** thanks to its exceptionally and globally unique height, it is an ideal solution for transport applications.



CDO

THE MOST COMPACT CO₂ TRANSCRITICAL COMPRESSOR RANGE

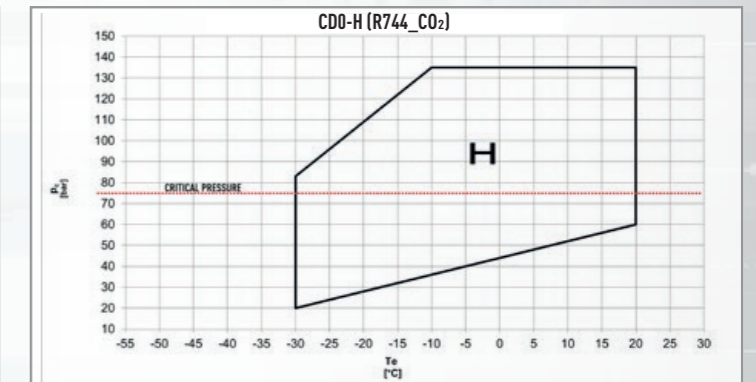
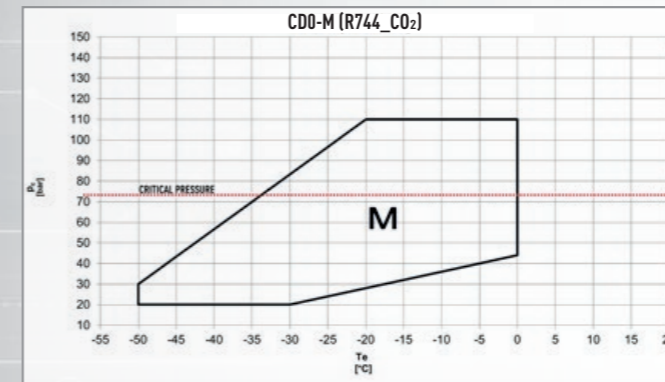


Dorin is proud to introduce its new **CDO range**, the most **compact range** of CO₂ compressors, 2 cylinders, 12 models with a displacement up to 2,89 m³/h at 50 Hz and up to 3,46 m³/h at 60 Hz and capacities from 0,8 hp to 3,8 hp.

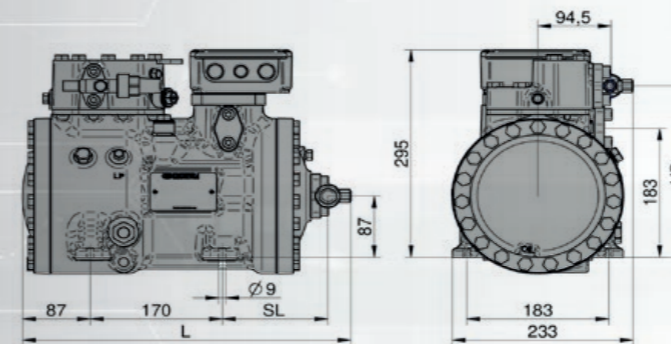
CDO

RANGE	MODEL	CYLINDERS	DISPLACEMENT [m ³ /h] @ 50 Hz	HP	RPM @ 50 Hz	SUCTION	DISCHARGE	NET WEIGHT [Kg]	OIL CHARGE [l]	MAX OPERATING CURRENT V / ph / Hz	LOCKED ROTOR CURRENT V / ph / Hz
						SOCKET WELDING [mm]	SOCKET WELDING [mm]				
CDO	CD0 08-0,8M	2	0,86	0,75	1450	10	10	53	0,8	2,4	11,1
	CD0 10-0,8H	2	0,86	1	1450	10	10	53	0,8	2,9	13,8
	CD0 15-1,1M	2	1,12	1,5	1450	10	10	55	0,8	3,4	15,5
	CD0 18-1,1H	2	1,12	1,8	1450	10	10	56	0,8	4,4	20,0
	CD0 18-1,5M	2	1,45	1,8	1450	10	10	56	0,8	6,0	24,5
	CD0 30-1,5H	2	1,45	3	1450	10	10	57	0,8	6,0	24,5
	CD0 30-1,9M	2	1,88	3	1450	16	10	57	0,8	7,3	32,0
	CD0 35-1,9H	2	1,88	3,5	1450	16	10	58	0,8	7,3	32,0
	CD0 35-2,4M	2	2,36	3,5	1450	16	10	58	0,8	7,5	34,0
	CD0 36-2,4H	2	2,36	3,6	1450	16	10	60	0,8	7,5	34,0
	CD0 36-3,0M	2	2,89	3,6	1450	16	10	60	0,8	9,4	43,5
	CD0 38-3,0H	2	2,89	3,8	1450	16	10	63	0,8	9,4	43,5

ENVELOPE



OVERALL DIMENSIONS



RANGE	MODEL	L [mm]	HD [mm]	SL [mm]
CDO	CD0 08-0,8M	423	243	136
	CD0 10-0,8H	423	243	136
	CD0 15-1,1M	423	243	136
	CD0 18-1,1H	423	243	136
	CD0 18-1,5M	423	246	136
	CD0 30-1,5H	423	246	136
	CD0 30-1,9M	423	246	136
	CD0 35-1,9H	423	246	153
	CD0 35-2,4M	441	246	153
	CD0 36-2,4H	441	246	153
	CD0 36-3,0M	441	246	153
	CD0 3.8-3.0H	441	246	153

APPLICATIONS



RAILWAY HVAC



BUS A/C



REFRIGERATED TRANSPORT



ICE CREAM INDUSTRY

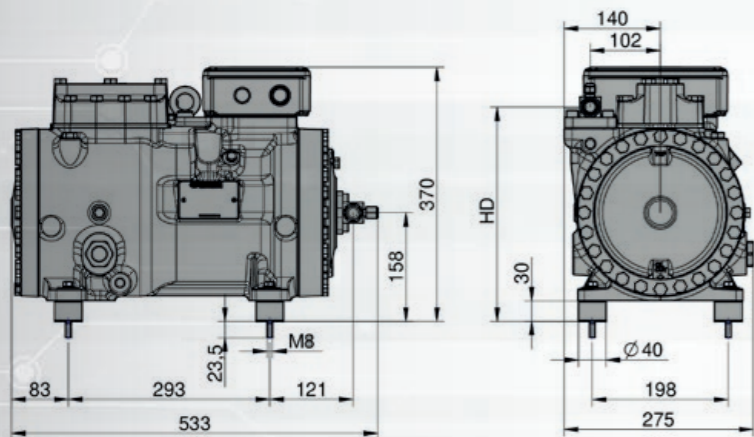
CD2

EFFICIENT, COMPACT, AND VERSATILE 2-CYLINDER SOLUTION FOR STATIC & TRANSPORT APPLICATIONS



Dorin, following its dynamic development process, presents the new **CD2 Range**, ideal for application in low temperature and high pressure, in the sector of refrigerated transport, transport air-conditioning. It's a 2-cylinder compressors range, made of 19 models, with displacement up to 9,25 m³/h and motor capacities up to 5,5 HP.

OVERALL DIMENSIONS

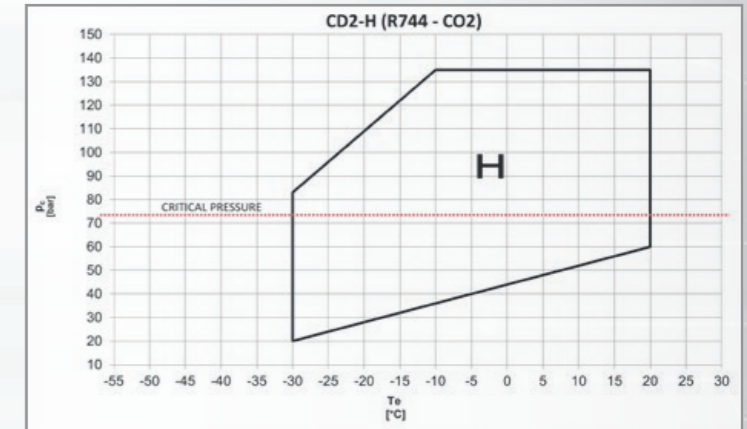
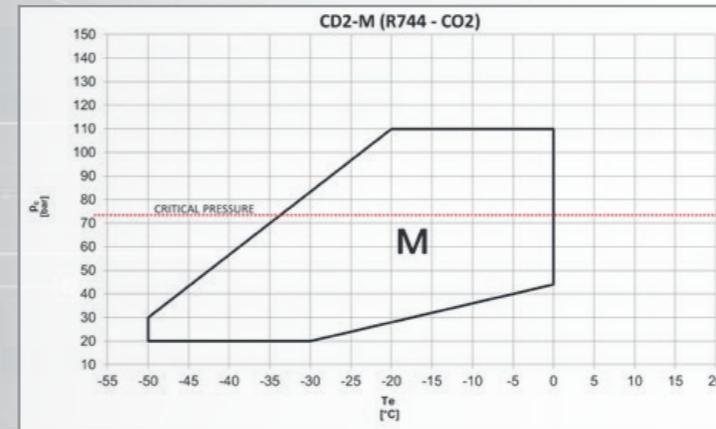


RANGE	MODEL	HD [mm]
CD2	CD2 30-1,6H	311
	CD2 30-2,3M	311
	CD2 40-2,3H	311
	CD2 40-3,2M	311
	CD2 55-3,2H	311
	CD2 40-3,6M	311
	CD2 55-3,6H	311
	CD2 55-4,6M	311
	CD2 75-4,6H	311
	CD2 20-1,8B	301
	CD2 30-2,3B	301
	CD2 20-2,7B	301
	CD2 30-3,2B	301
	CD2 30-3,6B	301
	CD2 30-4,6B	301
	CD2 30-5,1B	301
	CD2 40-6,3B	301
	CD2 40-7,5B	301
	CD2 55-9,2B	301

CD2

RANGE	MODEL	CYLINDERS	DISPLACEMENT [m ³ /h] @ 50 Hz	HP	RPM @ 50 Hz	SUCTION	DISCHARGE	NET WEIGHT [Kg]	OIL CHARGE [l]	MAX OPERATING CURRENT	LOCKED ROTOR CURRENT
						SOCKET WELDING [mm]	SOCKET WELDING [mm]			380-420 / 3 / 50 440-480 / 3 / 60 Y [A]	380-420 / 3 / 50 440-480 / 3 / 60 Y [A]
CD2	CD2 30-1,6H	2	1,60	3	1450	22	18	87	1,5	9,0	40,0
	CD2 30-2,3M	2	2,34	3	1450	22	18	91	1,5	9,5	40,0
	CD2 40-2,3H	2	2,34	4	1450	22	18	94	1,5	10,5	53,0
	CD2 40-3,2M	2	3,20	4	1450	22	18	94	1,5	10,5	53,0
	CD2 55-3,2H	2	3,20	5,5	1450	22	18	97	1,5	14,5	63,0
	CD2 40-3,6M	2	3,64	4	1450	22	18	93	1,5	10,5	53,0
	CD2 55-3,6H	2	3,64	5,5	1450	22	18	96	1,5	14,5	63,0
	CD2 55-4,6M	2	4,60	5,5	1450	22	18	96	1,5	14,5	63,0
	CD2 75-4,6H	2	4,60	7,5	1450	22	18	98	1,5	19,5	86,0
	CD2 20-1,8B	2	1,82	3	1450	16	12	87	1,5	9,0	40,0
	CD2 30-2,3B	2	2,34	3	1450	16	12	91	1,5	9,0	40,0
	CD2 20-2,7B	2	2,66	3	1450	16	12	91	1,5	9,0	40,0
	CD2 30-3,2B	2	3,20	3	1450	16	12	93	1,5	9,0	40,0
	CD2 30-3,6B	2	3,64	3	1450	16	12	93	1,5	9,0	40,0
	CD2 30-4,6B	2	4,60	3	1450	16	12	93	1,5	9,0	40,0
	CD2 30-5,1B	2	5,13	3	1450	16	12	94	1,5	9,0	40,0
	CD2 40-6,3B	2	6,27	4	1450	16	12	95	1,5	10,5	53,0
	CD2 40-7,5B	2	7,52	4	1450	22	16	96	1,5	10,5	53,0
	CD2 55-9,2B	2	9,25	5,5	1450	22	16	97	1,5	14,5	63,0

ENVELOPE



APPLICATIONS



RAILWAY HVAC



BUS A/C



REFRIGERATED TRANSPORT



CONDITIONING



CONDENSING UNITS



HEAT PUMP

MECHANICAL CAPACITY CONTROL

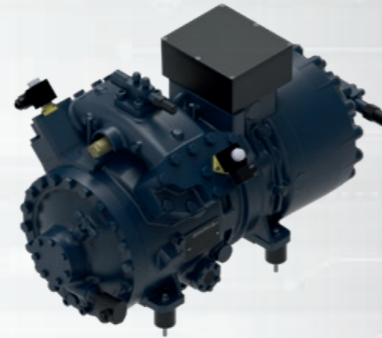
UPGRADE OF CO₂ TRANSCRITICAL COMPRESSORS FOR A BETTER ENERGY MANAGEMENT

CD4 CC



CD400 CC

*Development in progress



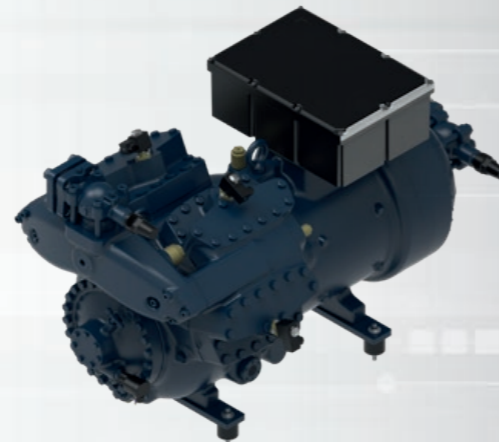
CD600 CC

*Development in progress



CD700 CC

*Development in progress

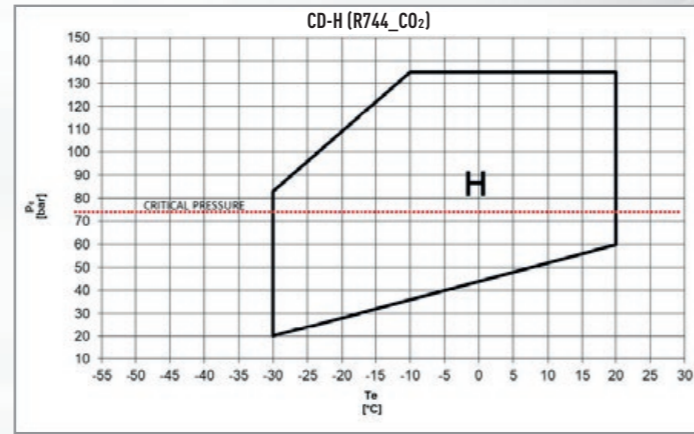
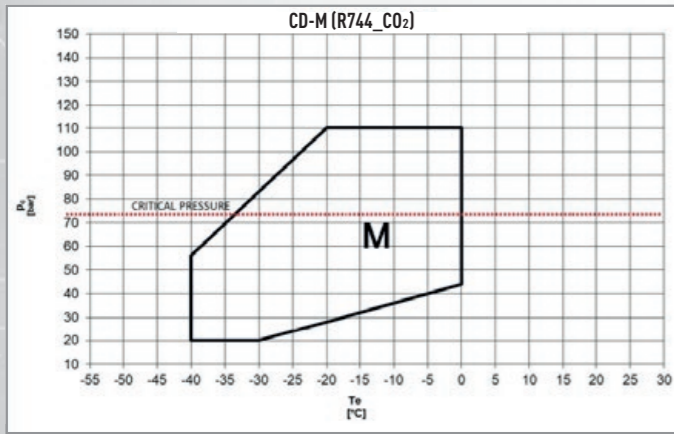


Dorin designed a perfect solution to **upgrade** the well-known and globally appreciated **CO₂ compressors of the Range CD4, CD400, CD600 and CD700** with an optional **Mechanical Capacity Control** system to **perfectly match part load conditions** in refrigeration and air-conditioning systems.

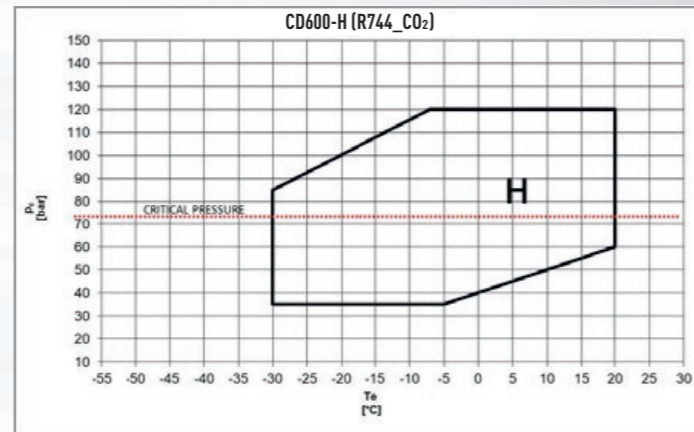
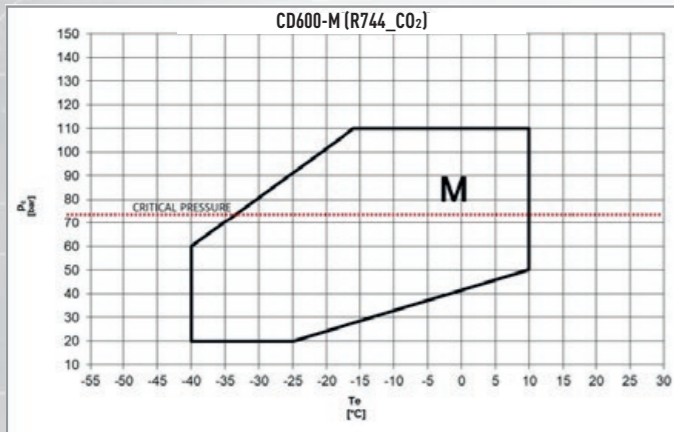


		CD4	CD400	CD600	CD700					
RANGE	MODEL	CYLINDERS	DISPL. [m ³ /h] @ 50 Hz	HP	SUCTION	DISCHARGE	NET WEIGHT [Kg]	OIL CHARGE [l]	MAX OPERATING CURRENT V / ph / Hz 380-420 / 3 / 50 440-480 / 3 / 60 Y [A]	LOCKED ROTOR CURRENT V / ph / Hz 380-420 / 3 / 50 440-480 / 3 / 60 Y [A]
					SL [mm]	DL [mm]				
CD4	CD4 55-4,7M	4	4,70	5,5	22	18	117	1,7	14,5	63
	CD4 75-4,7H	4	4,70	7,5	22	18	117	1,7	19,5	86
	CD4 75-6,4M	4	6,40	7,5	22	18	117	1,7	19,5	86
	CD4 90-6,4H	4	6,40	9	22	18	117	1,7	23	92
	CD4 75-7,3M	4	7,30	7,5	22	18	120	1,7	19,5	86
	CD4 90-7,3H	4	7,30	9	22	18	120	1,7	23	92
	CD4 90-9,2M	4	9,20	9	22	18	120	1,7	23	92
	CD4 120-9,2H	4	9,20	12	22	18	121	1,7	24	109
CD400	CD 1200M	4	9,48	12	22	22	164	2,5	28	135
	CD 1400H	4	9,48	14	22	22	164	2,5	34	171
	CD 1500M	4	11,69	15	22	22	164	2,5	34	171
	CD 2000H	4	11,69	20	22	22	164	2,5	38	177
	CD 2000M	4	13,84	20	22	22	164	2,5	38	177
	CD 2400H	4	13,84	24	22	22	168	2,5	45	203
	CD 2500H	4	15,72	25	22	22	168	2,5	45	203
	CD 2500M	4	17,84	25	22	22	172	2,5	45	203
	CD 3000H	4	17,84	30	22	22	178	2,5	56	245
	CD 3001M	4	20,15	30	22	22	178	2,5	56	245
	CD 3401H	4	20,15	34	22	22	187	2,5	75	260
	CD 3501H	4	23,30	35	22	22	187	2,5	75	260
	CD 3501M	4	26,45	35	22	22	187	2,5	75	260
	CD 4501H	4	26,45	45	22	22	199	2,5	80	323
CD 5001M	4	31,04	50	28	22	202	2,5	93	323	
CD 5201M	4	35,47	52	28	22	202	2,5	93	323	
CD600	CD6 601-40M	6	39,85	60	42s	28s	425	4,8	105	455
	CD6 701-40H	6	39,85	70	42s	28s	435	4,8	120	544
	CD6 701-45M	6	45,34	70	42s	28s	439	4,8	120	544
	CD6 801-45H	6	45,34	80	42s	28s	445	4,8	148	584
	CD6 801-53M	6	53,21	80	42s	28s	445	4,8	148	584
	CD6 901-53H	6	53,21	90	42s	28s	452	4,8	170	660
	CD6 1200-58H	6	57,65	120	42s	28s	502	4,8	185	880
	CD6 901-59M	6	59,53	90	42s	28s	452	4,8	170	660
	CD6 1200-65M	6	64,49	120	54s	35s	502	4,8	185	880
	CD6 1400-65H	6	64,49	140	54s	35s	530	4,8	210	1080
	CD6 1400-72M	6	71,72	140	54s	35s	530	4,8	210	1080
	CD6 1600-72H	6	71,72	160	54s	35s	562	4,8	230	1180
CD700	CD7 1200-74M	8	74,00	120						
	CD7 1400-74H	8	74,00	140						
	CD7 1400-80M	8	80,00	140						
	CD7 1600-80H	8	80,00	160						
	CD7 1600-89M	8	89,00	160						
	CD7 1800-89H	8	89,00	180						
	CD7 1800-100M	8	100,00	180						
	CD7 1800-100H	8	100,00	180						
CD7 180 - 113M	8	113,00	180							

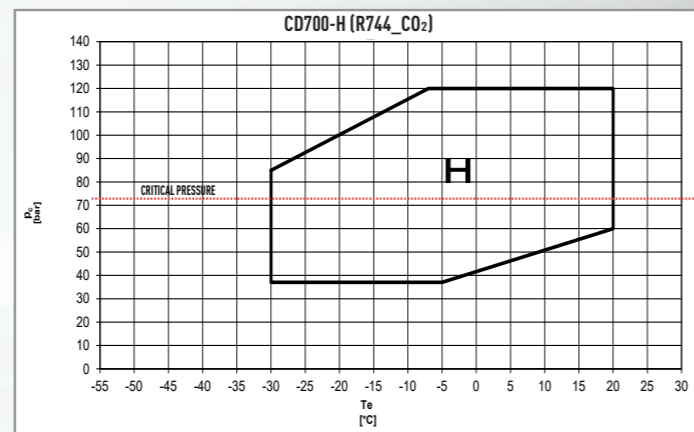
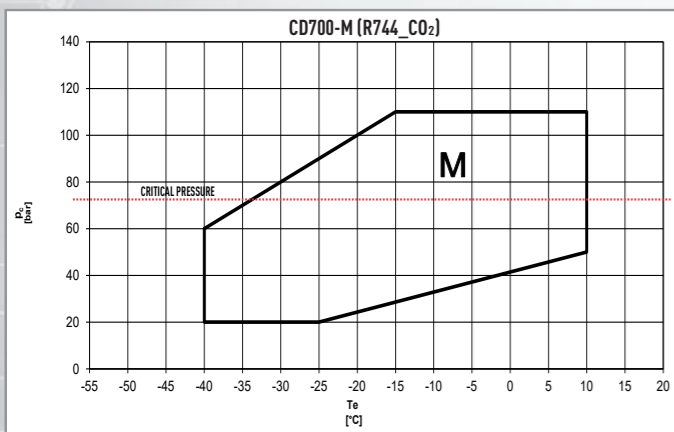
ENVELOPE CD4 / CD400



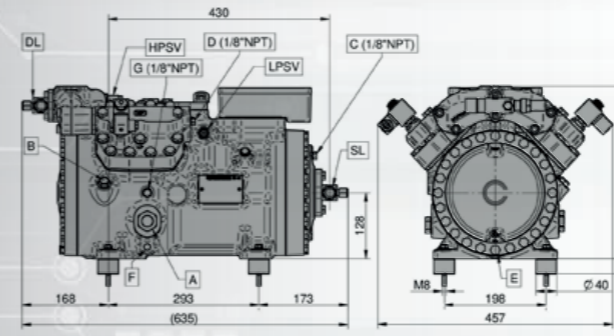
ENVELOPE CD600



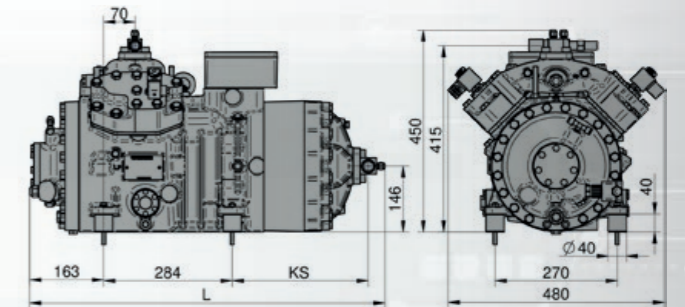
ENVELOPE CD700



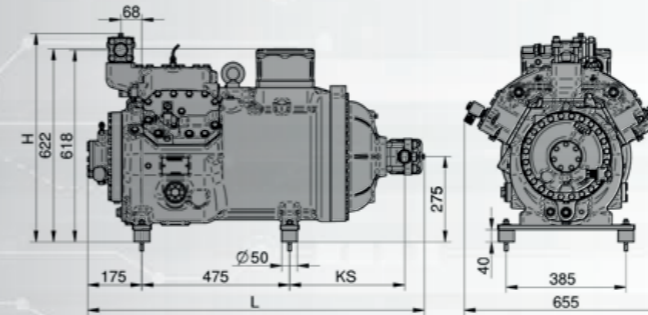
OVERALL DIMENSIONS



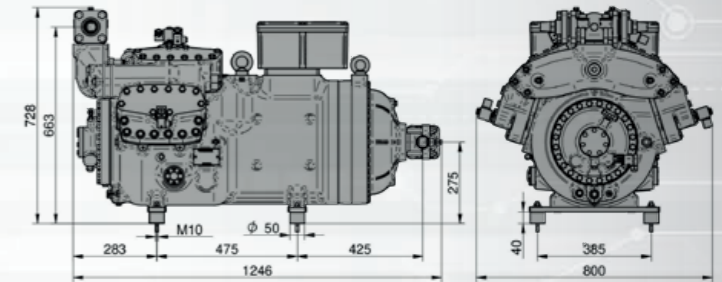
CD4



CD400



CD600



CD700

APPLICATIONS



COMMERCIAL REFRIGERATION



INDUSTRIAL REFRIGERATION



LOGISTIC WAREHOUSE



REFRIGERATION WAREHOUSE



INDUSTRIAL HEAT PUMP



HEAT PUMP



RAILWAY A/C



REFRIGERATION TRUCK & TRAILER



WINTER SPORTS

CD600

THE MILESTONE RANGE OF CO₂ TRANSCRITICAL COMPRESSORS FOR INDUSTRIAL APPLICATIONS



CD600 is the most used range of CO₂ transcritical compressors for industrial applications: this compressors lineup allows to efficiently and cost effectively match refrigeration capacity up to 5 MW.

Dorin has renewed its CD600 range with several new transcritical models with displacements from 64,49 to 71,72 m³/h and capacities from 120 to 160 hp.

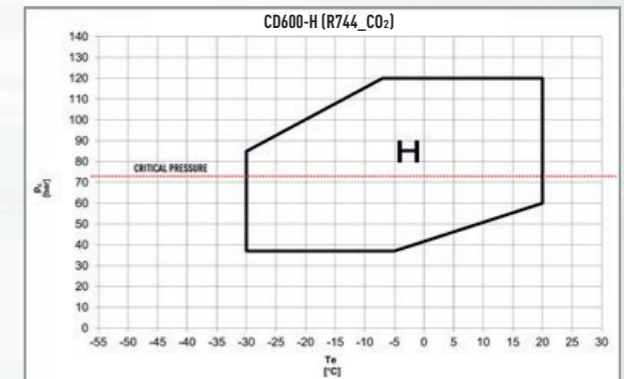
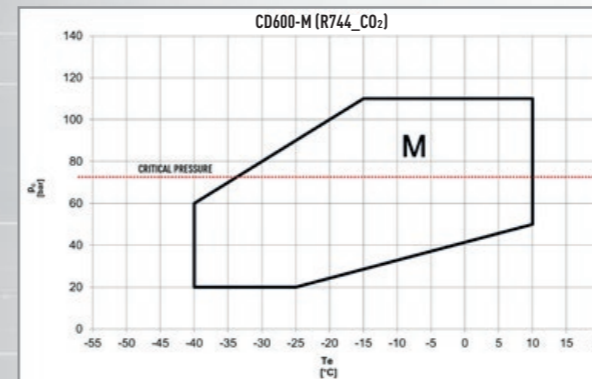
The CD600 1600-72H has been awarded the **ATMO Innovation Award North America 2024**, recognized for its outstanding performance and reliability, earning widespread appreciation from end users across America.



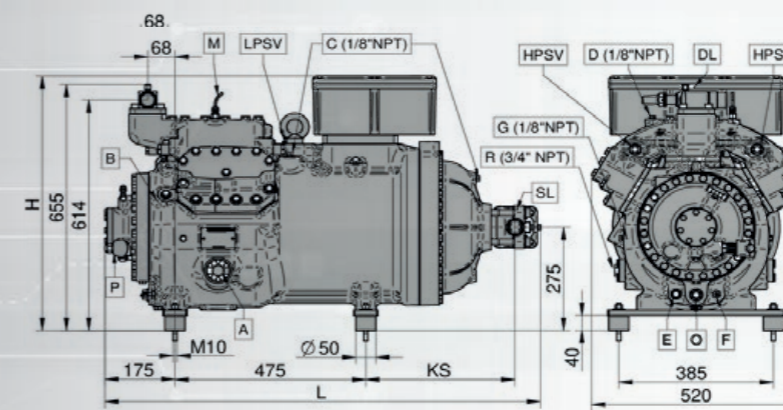
CD600

RANGE	MODEL	CYLINDERS	DISPL. [m ³ /h] @ 50 Hz	HP	RPM @ 50 Hz	SUCTION		DISCHARGE		NET WEIGHT [Kg]	OIL CHARGE [l]	MAX OPERATING CURRENT V / ph / Hz	LOCKED ROTOR CURRENT V / ph / Hz
						SOCKET WELDING [mm]	BUTT WELDING [mm]	SOCKET WELDING [mm]	BUTT WELDING [mm]				
CD600	CD6 601-40M	6	39,85	60	1450	42s	-	28s	-	425	4,8	105	455
	CD6 701-40H	6	39,85	70	1450	42s	-	28s	-	435	4,8	120	544
	CD6 701-45M	6	45,34	70	1450	42s	-	28s	-	435	4,8	120	544
	CD6 801-45H	6	45,34	80	1450	42s	-	28s	-	445	4,8	148	584
	CD6 801-53M	6	53,21	80	1450	42s	-	28s	-	445	4,8	148	584
	CD6 901-53H	6	53,21	90	1450	42s	-	28s	-	452	4,8	170	660
	CD6 1200-58H	6	57,65	120	1450	54s	-	35s	-	502	4,8	185	880
	CD6 901-59M	6	59,53	90	1450	42s	-	28s	-	452	4,8	170	660
	CD6 1200-65M	6	64,49	120	1450	54s	-	35s	-	502	4,8	185	880
	CD6 1400-65H	6	64,49	140	1450	54s	-	35s	-	530	4,8	210	1080
	CD6 1400-72M	6	71,72	140	1450	54s	-	35s	-	530	4,8	210	1080
	CD6 1600-72H	6	71,72	160	1450	54s	-	35s	-	562	4,8	230	1180

ENVELOPE



OVERALL DIMENSIONS



RANGE	MODEL	L [mm]	H [mm]	KS [mm]
CD600	CD6 601-40M	1056	647	354
	CD6 701-40H	1056	647	354
	CD6 701-45M	1056	647	354
	CD6 801-45H	1056	647	354
	CD6 801-53M	1056	647	354
	CD6 901-53H	1056	647	354
	CD6 1200-58H	1088	678	371
	CD6 901-59M	1056	647	354
	CD6 1200-65M	1088	678	371
	CD6 1400-65H	1088	678	371
	CD6 1400-72M	1088	678	371
	CD6 1600-72H	1088	678	371

APPLICATIONS



COMMERCIAL REFRIGERATION



INDUSTRIAL REFRIGERATION



LOGISTIC WAREHOUSE



REFRIGERATION WAREHOUSE



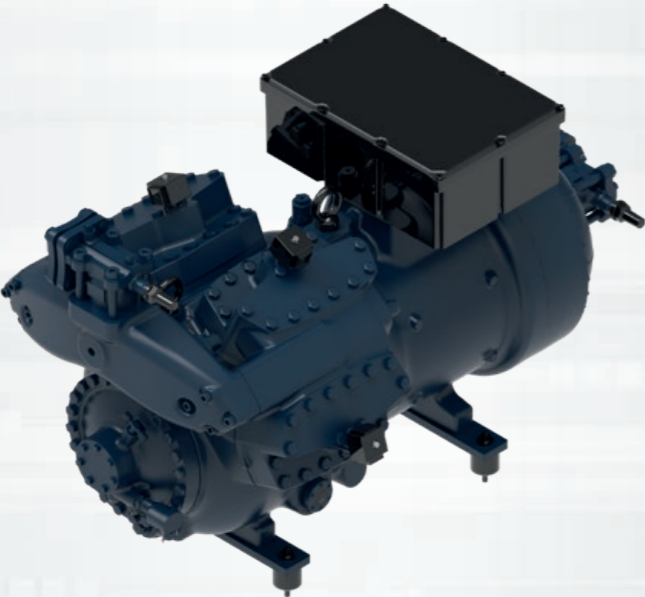
WINTER SPORTS



INDUSTRIAL HEAT PUMP

CD700

THE FLAGSHIP MODEL OF COMPRESSORS FOR CO₂ TRANS-CRITICAL APPLICATION



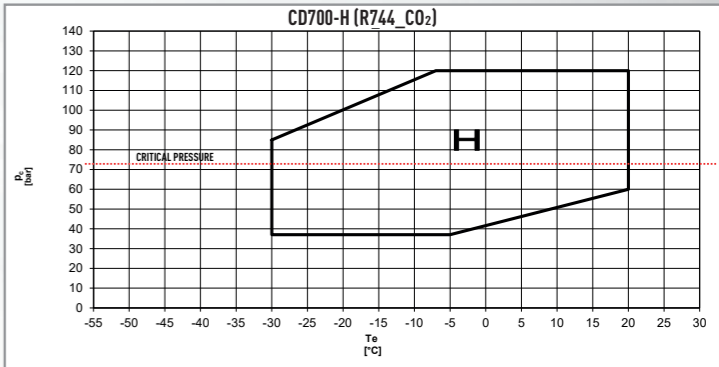
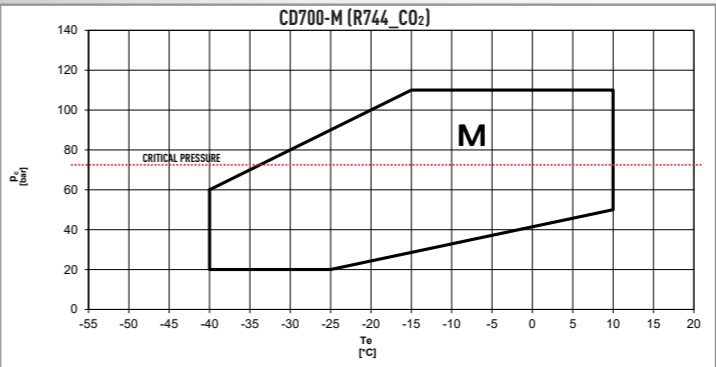
With CO₂ taking the lead in industrial applications, **DORIN further raises the bar**, introducing a brand new range of 8 cylinders CO₂ transcritical compressors, with **motor powers up to 180 hp** and **displacement up to 113 m³/h**.



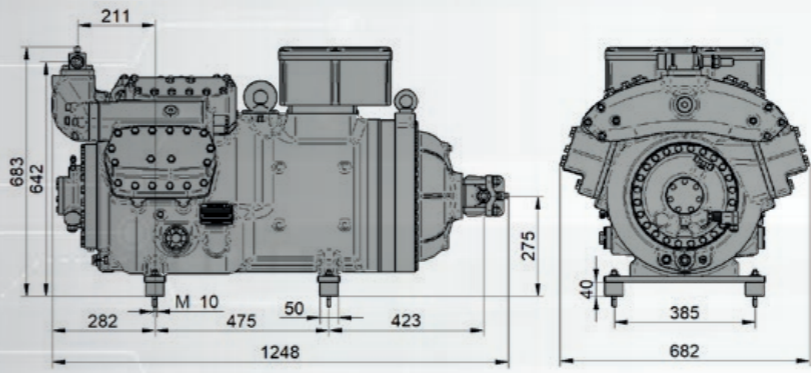
CD700

RANGE	MODEL	CYLINDERS	DISPLACEMENT [m ³ /h] @ 50 Hz	HP
CD700	CD7 1200-74M	8	74,00	120
	CD7 1400-74H	8	74,00	140
	CD7 1400-80M	8	80,00	140
	CD7 1600-80H	8	80,00	160
	CD7 1600-89M	8	89,00	160
	CD7 1800-89H	8	89,00	180
	CD7 1800-100M	8	100,00	180
	CD7 1800-100H	8	100,00	180
	CD7 1800-113M	8	113,00	180

ENVELOPE



OVERALL DIMENSIONS

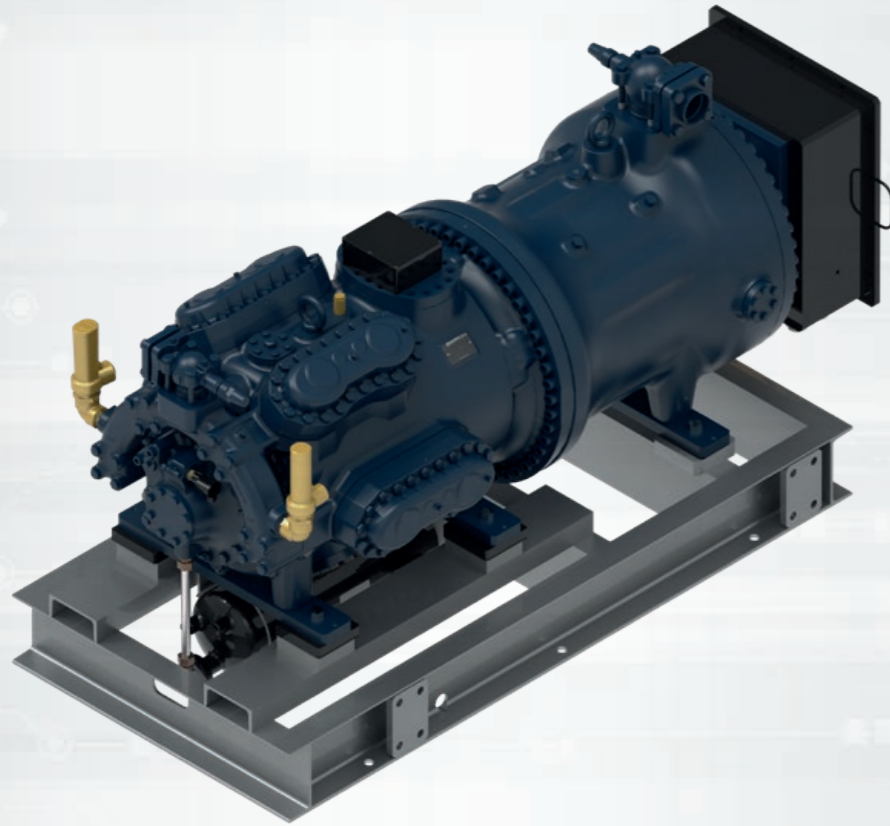


APPLICATIONS



CD1000

THE LARGEST **CO₂** TRANSCRITICAL RECIPROCATING COMPRESSOR EVER BUILT

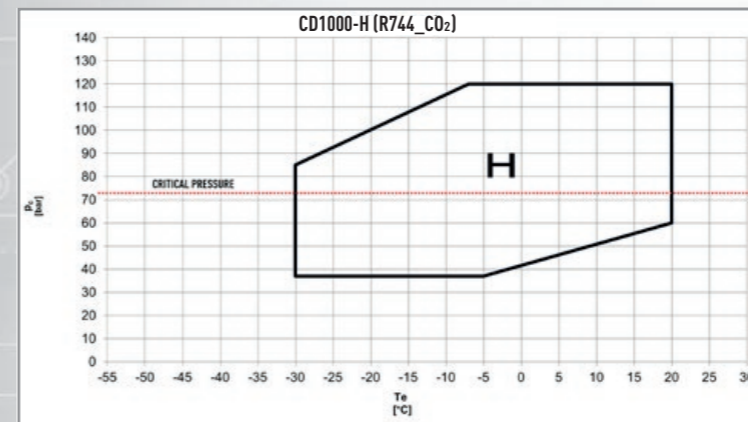


Dorin proudly presents **the biggest CO₂ transcritical compressor in its class**, engineered for unparalleled performance. Featuring 8 cylinders, these industry-leading compressors boast a displacement range from 205,30 m³/h to 308 m³/h, driven by electric motors ranging from 500 hp to an outstanding 750 hp. **This is power redefined, setting a new standard in CO₂ refrigeration and district water heat pumps.**

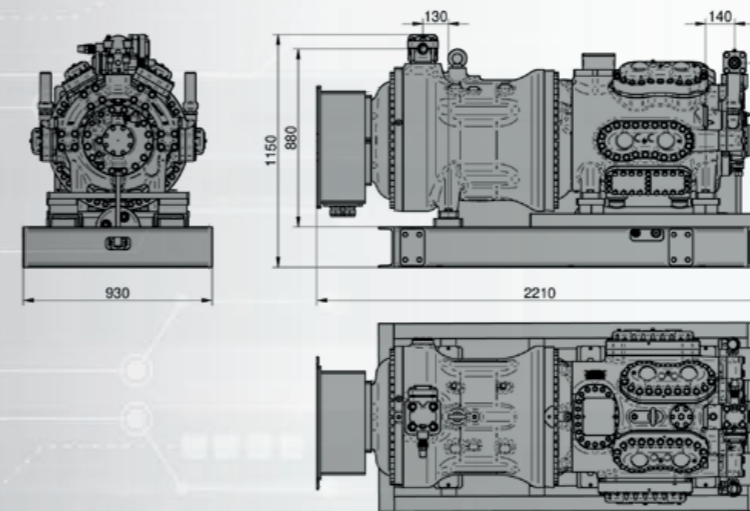
CD1000

RANGE	MODEL	CYLINDERS	DISPLACEMENT [m ³ /h] @ 50 Hz	HP
CD1000	CD10 5000-205H	8	205,30	500
	CD10 6000-251H	8	243,20	600
	CD10 7500-308H	8	308,00	750

ENVELOPE



OVERALL DIMENSIONS



APPLICATIONS



INDUSTRIAL REFRIGERATION



DISTRICT WATER HEATING

BOXÉR

THE IDEAL SOLUTION FOR TRANSPORT APPLICATIONS WITH CONSTRAINED HEIGHTS



The **Boxér** sets a new standard in transport refrigeration. Exceptionally compact, lightweight, and globally unique, it is the ideal choice for transport applications where performance and efficiency are critical.

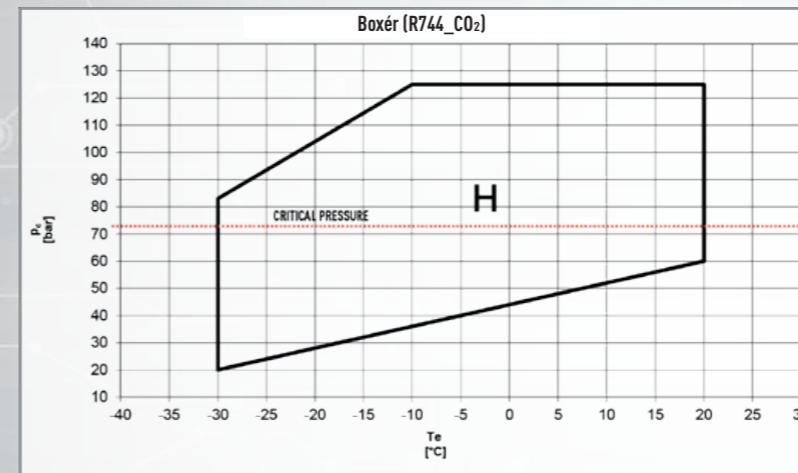
Developed by Dorin, the Boxér range meets both heating and cooling requirements, delivering reliable, high-performance operation in the most demanding environments.

With its 4-cylinder design, displacement ranging from 4,67 m³/h to 9,21 m³/h, and capacities from 7,5 to 12 hp, the Boxér combines **power and compactness** to deliver top performance in the most demanding transport HVAC applications.

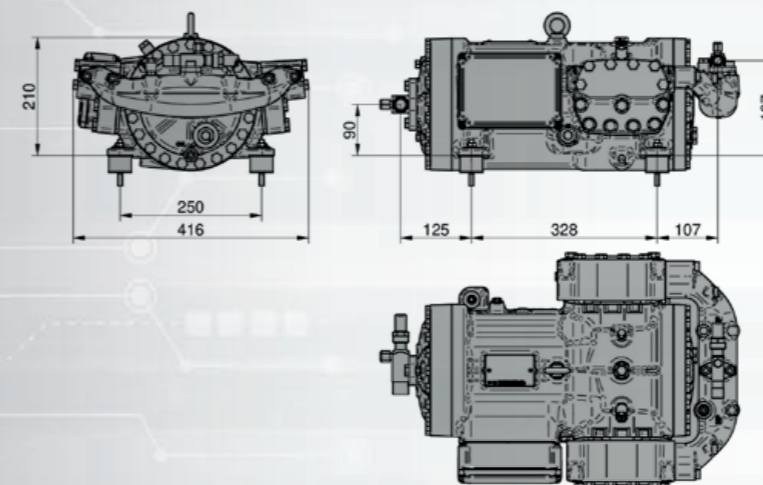
BOXÉR

RANGE	MODEL	CYLINDERS	DISPLACEMENT [m ³ /h] @ 50 Hz	HP	SUCTION	DISCHARGE	NET WEIGHT [Kg]	OIL CHARGE [l]	MAX OPERATING CURRENT V / ph / Hz		LOCKED ROTOR CURRENT V / ph / Hz	
					SOCKET WELDING [mm]	SOCKET WELDING [mm]			220-240 / 3 / 50 265-290 / 3 / 60 Δ [A]	380-420 / 3 / 50 440-480 / 3 / 60 Y [A]	220-240 / 3 / 50 265-290 / 3 / 60 Δ [A]	380-420 / 3 / 50 440-480 / 3 / 60 Y [A]
BOXÉR	BX 75-4,7H	4	4,67	7,5	1450	22	16	104	1,3	19,5	86,0	86
	BX 90-6,4H	4	6,40	9	1450	22	16	106	1,3	23,0	92,0	92
	BX 90-7,3H	4	7,28	9	1450	22	16	106	1,3	23,0	92,0	92
	BX 120-9,2H	4	9,21	12	1450	22	16	107	1,3	24,0	109,0	109

ENVELOPE



OVERALL DIMENSIONS



APPLICATIONS



RAILWAY HVAC



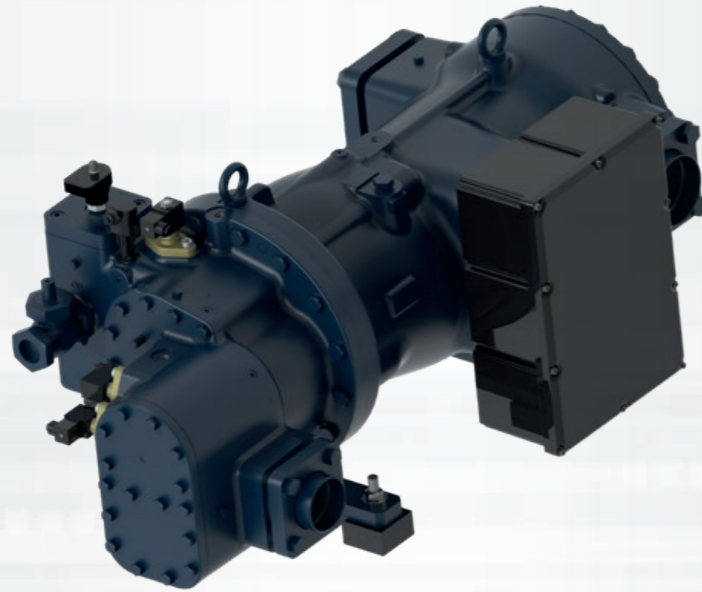
BUS A/C



REFRIGERATED TRASPOT

SCREW

THE NEWEST SCREW COMPRESSOR RANGE



Dorin introduces its first series of semi-hermetic refrigeration **Screw** compressors designed for medium and low-temperature applications, compatible with **modern synthetic HFC-HFO refrigerants such as R448A, R449A, R452A, R407A, R407F, and, where permitted, R404A and R507.** These compressors offer displacements ranging from 320 m³/h to 540 m³/h and feature electric motors between 90 hp and 180 hp. Clients can benefit from over 100 years of Dorin innovation and expertise, which is embedded in the heavy-duty industrial DNA of these compressors.

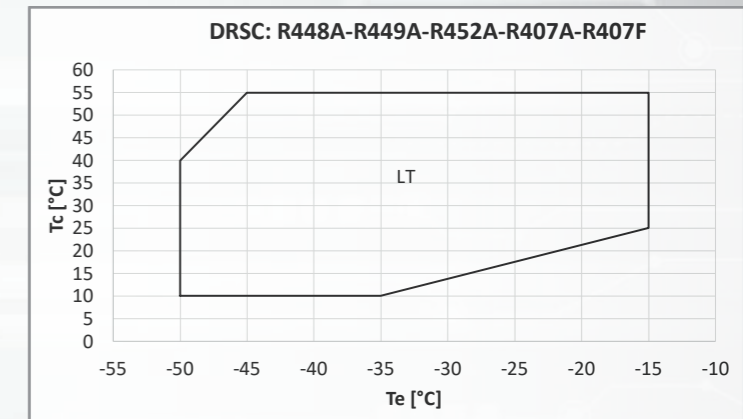
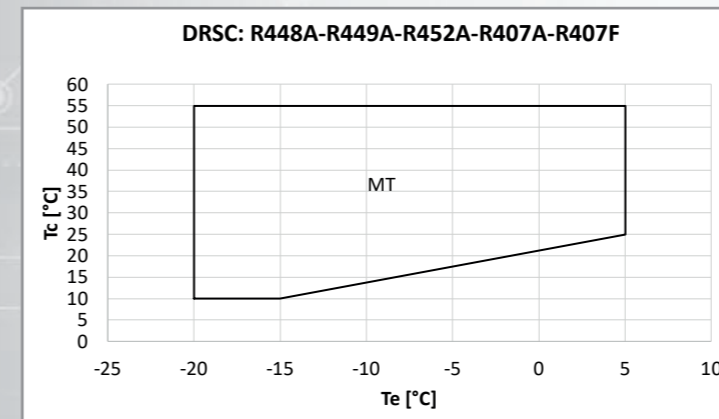
The units deliver extremely efficient performance, thanks to the **innovative 4+5 screw design**, and ensure **minimal oil carryover.** The compressors are user-friendly and easy to control, with a **specialized post-sale service** focusing on the needs of end-users. They are also compatible with the latest refrigerants and offer flexible application ranges. Their optimized design results in **very low noise levels**, providing smooth operation and an excellent user experience. **Precision engineering guarantees frictionless performance and long-term reliability.**

SCREW

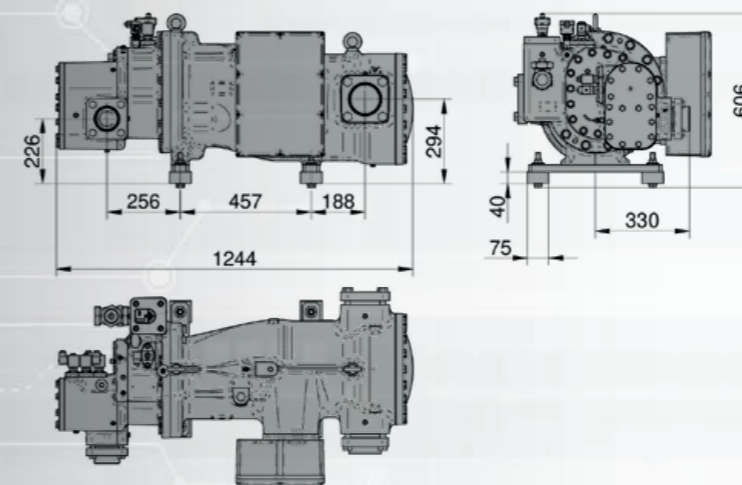
RANGE	MODEL	DISPL. [m ³ /h] @ 50 Hz	HP
SCREW MT	DRSC-320-110M	320	110
	DRSC-365-130M	365	130
	DRSC-420-140M	420	140
	DRSC-480-160M	480	160
	DRSC-540-180M	540	180

RANGE	MODEL	DISPL. [m ³ /h] @ 50 Hz	HP
SCREW LT	DRSC-320-90B	320	90
	DRSC-365-110B	365	110
	DRSC-420-130B	420	130
	DRSC-480-140B	480	140
	DRSC-540-160B	540	160

ENVELOPE



OVERALL DIMENSIONS



APPLICATIONS



HEX EM

THE FIRST RANGE FOR HIGH TEMPERATURE HYDROCARBONS HEAT PUMPS

The first cutting-edge high-temperature compressor, the perfect solution for a Sustainable Future. Thanks to its innovative compression technology, Dorin's new range of compressors for heat pumps high temperature **HEX EM**, utilizes butane, isobutane, and propane to achieve exceptional **condensation temperatures of up to 140°C** and **evaporation temperatures up to 65°C**.

Discover the best of Natural Heating.

Embrace sustainability, choose Dorin.

RANGE FEATURES:

- Displacement volume: from 42,81 to 244,78 m³/h
- *** External manifold** allowing operation at discharge temperatures of up to 140°C
- Special components to ensure lubrication even under extreme conditions
- Patented oil containment system for minimal lubricant carryover.

HEX EM41



HEX EM41 with four cylinders, displacement from 43 to 64 m³/h and capacities from 15 to 25 hp.

HEX EM5



HEX EM5 with four cylinders, displacement from 76 to 102 m³/h and capacities from 30 to 35 hp.

HEX EM41

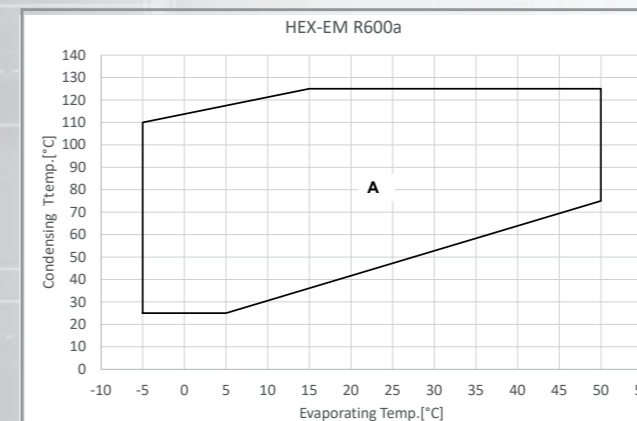
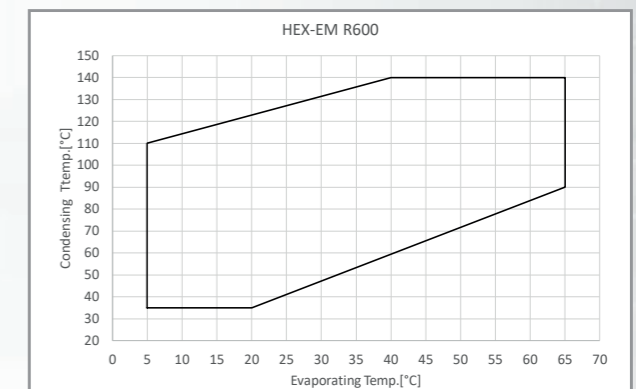
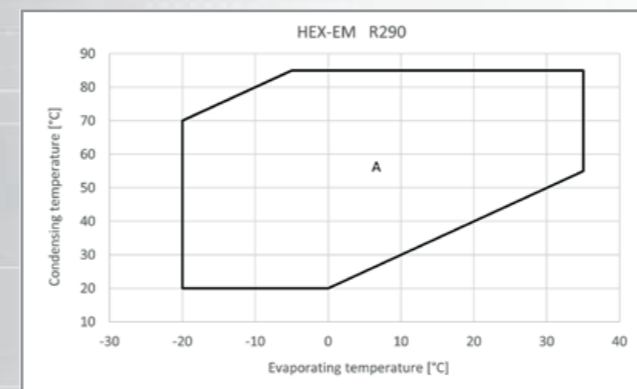
HEX EM5

HEX EM6

HEX EM7

RANGE	MODEL	CYLINDERS	DISPL. [m ³ /h] @ 50 Hz	RPM @ 50 Hz	SUCTION	DISCHARGE	NET WEIGHT [Kg]	OIL CHARGE [l]	MAX OPERATING CURRENT V / ph / Hz	LOCKED ROTOR CURRENT V / ph / Hz
					SL [mm]	DL [mm]				
HEX EM41	HEX-EM 150-43H	4	42,81	1450	35s	28s	130	2,5	34	171
	HEX-EM 200-49H	4	48,82	1450	42s	28s	131	2,5	38	177
	HEX-EM 250-57H	4	56,87	1450	42s	28s	131	2,5	45	203
	HEX-EM 250-64H	4	63,76	1450	42s	28s	136	2,5	45	203
HEX EM5	HEX-EM 300-76H	4	75,83	1450	54s	28s	185	3,5	56	245
	HEX-EM 350-85H	4	85,01	1450	54s	28s	199	3,5	60	260
	HEX-EM 350-92H	4	92,25	1450	54s	35s	205	3,5	60	260
	HEX-EM 350-102H	4	102,35	1450	54s	35s	205	3,5	60	260
HEX EM6	HEX EM 400-114H	6	113,74	1450	54s	35s	246	3,5	75	290
	HEX EM 500-128H	6	127,52	1450	54s	35s	249	3,5	93	358
	HEX EM 500-138H	6	138,37	1450	54s	42s	252	3,5	93	358
	HEX EM 500-154H	6	153,52	1450	54s	42s	253	3,5	93	358
HEX EM7	HEX EM 700-164H	8	164,30	1450	66s	42s	355	8,5	120	544
	HEX EM 800-184H	8	184,19	1450	80s	42s	355	8,5	148	584
	HEX EM 800-200H	8	199,86	1450	80s	42s	357	8,5	148	584
	HEX EM 800-222H	8	221,75	1450	80s	54s	357	8,5	148	584
	HEX EM 900-245H	8	244,78	1450	80s	54s	366	8,5	170	660

ENVELOPE

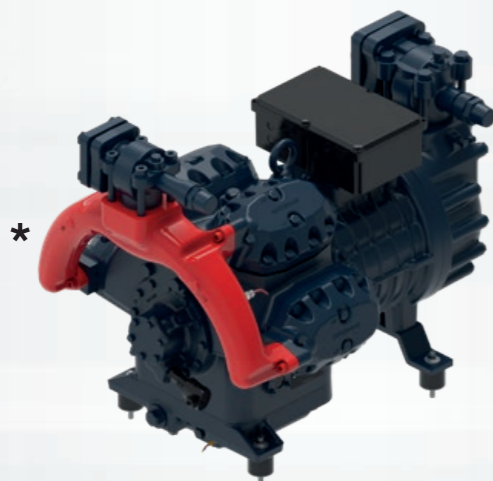


HEX EM6



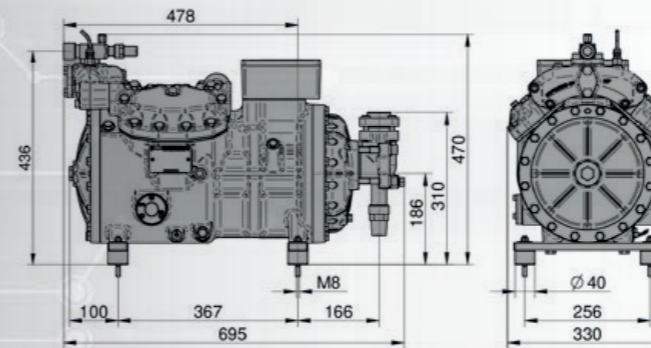
HEX EM6 with six cylinders, displacement from 114 to 154 m³/h and capacities from 40 to 50 hp.

HEX EM7

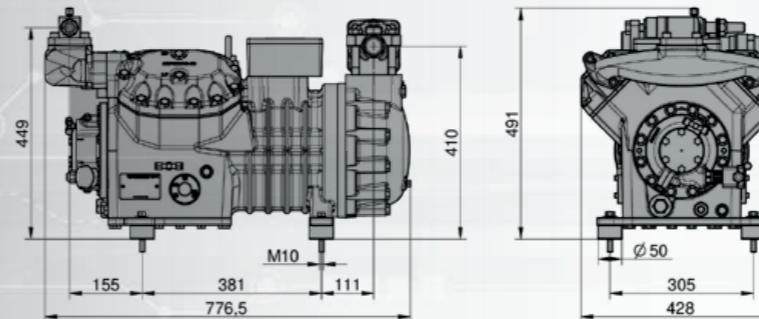


HEX EM7 with eight cylinders, displacement from 164 to 245 m³/h and capacities from 70 to 80 hp.

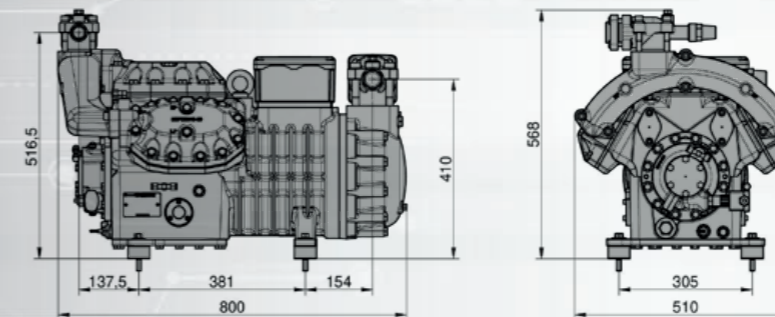
OVERALL DIMENSIONS



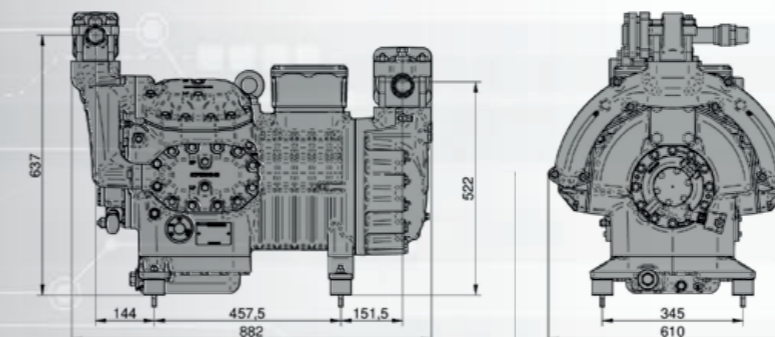
HEX EM41



HEX EM5



HEX EM6



HEX EM7

APPLICATIONS



HEAT PUMP



INDUSTRIAL HEAT PUMP

BUILT FOR FUTURE GENERATIONS



*Innovation with a Beating Human Heart
since 1918*



THAT'S DORIN[®]

GLOBALLY PRESENT



OFFICINE MARIO DORIN SINCE 1918
DORIN[®]
INNOVATION



A story of Excellence that lasts 108 years



DORIN USA LLC
Tecumseh, MI (USA)



OFFICINE MARIO DORIN S.P.A.
HEADQUARTERS
Compiobbi, Fiesole - Firenze (IT)



**DORIN COMPRESSOR
(JIAXING) CO., LTD.**
Jiashan, Zhejiang Province (CN)

**SHANGHAI DORIN
COMPRESSOR SALES CO., LTD**
Shanghai (CN)



www.dorin.com
dorin@dorin.com