



OFFICINE MARIO DORIN SINCE 1918
DORIN[®]
INNOVATION

RICAMBI
SPARE PARTS

CDS11
SERIES
2015



CO₂ COMPRESSORS FOR SUB-CRITICAL APPLICATIONS
COMPRESSORI CO₂ PER APPLICAZIONI SUB-CRITICHE

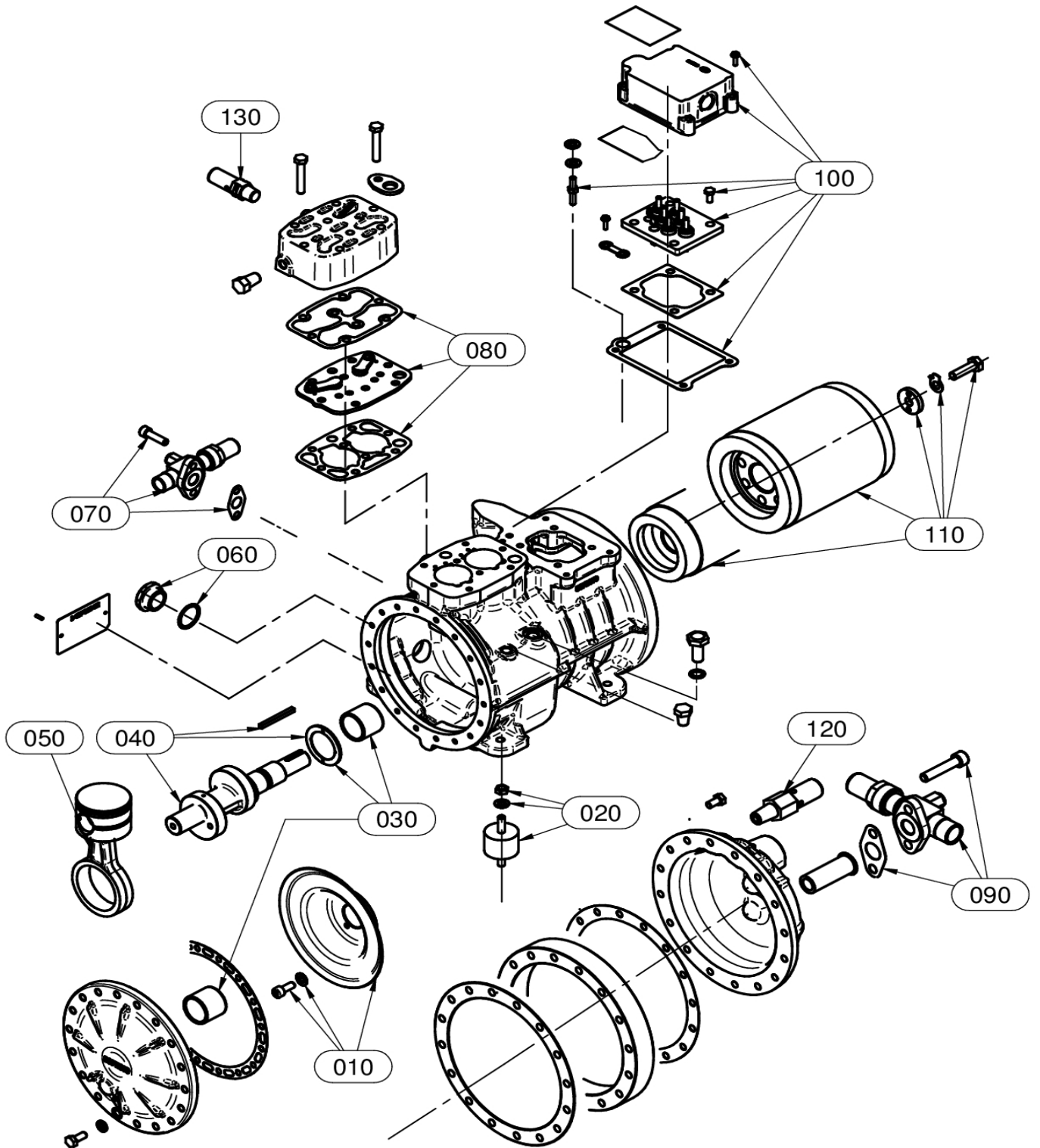


OFFICINE MARIO DORIN SINCE 1918
DORIN
INNOVATION

M/COMPRESSORE - M/COMPRESSOR

CDS 11

ESPLOSO COMMERCIALE - COMMERCIAL EXPLODED VIEW





OFFICINE MARIO DORIN SINCE 1918
DORIN
INNOVATION

M/COMPRESSORE - M/COMPRESSOR

CDS 11



| RIF. | QUANTITA' | | | | | | | CODICE CODE | DESCRIZIONE | DESCRIPTION |
|------|-----------|---------|---------|---------|---------|---------|---------|-------------|----------------------------------|----------------------------------|
| | CDS101B | CDS151B | CDS181B | CDS301B | CDS351B | CDS381B | CDS401B | | | |
| 010 | 1 | 1 | - | - | - | - | - | 1MKD025 | Disco sbattiolio | Oil centrifugal disk |
| 010 | - | - | 1 | 1 | 1 | 1 | - | 1MKD026 | Disco sbattiolio | Oil centrifugal disk |
| 010 | - | - | - | - | - | - | 1 | 1MKD027 | Disco sbattiolio | Oil centrifugal disk |
| 020 | 1 | 1 | 1 | 1 | 1 | 1 | 1 | 1CC5024 | Kit sospensioni completo | Vibration damper kit complete |
| 030 | 1 | 1 | 1 | 1 | 1 | 1 | 1 | 1CKJ012 | Kit bronzine + rasamento | Bushing + thrust kit |
| 040 | 1 | - | - | - | - | - | - | 1MKA215 | Albero completo c.12 | Complete shaft c.12 |
| 040 | - | 1 | - | - | - | - | - | 1MKA216 | Albero completo c.16 | Complete shaft c.16 |
| 040 | - | - | 1 | - | - | - | - | 1MKA217 | Albero completo c.22 | Complete shaft c.22 |
| 040 | - | - | - | 1 | - | - | - | 1MKA213 | Albero completo c.22 | Complete shaft c.22 |
| 040 | - | - | - | - | 1 | - | - | 1MKA218 | Albero completo c.28 | Complete shaft c.28 |
| 040 | - | - | - | - | - | 1 | - | 1MKA214 | Albero completo c.28 | Complete shaft c.28 |
| 040 | - | - | - | - | - | - | 1 | 1MKA219 | Albero completo c.34 | Complete shaft c.34 |
| 050 | 2 | - | - | - | - | - | - | 1MCDB78 | Kit biella - pistone D.34 | Conn.rod - piston complete D.34 |
| 050 | - | 2 | - | - | - | - | - | 1MCDB79 | Kit biella - pistone D.34 | Conn.rod - piston complete D.34 |
| 050 | - | - | 2 | - | - | - | - | 1MCDB80 | Kit biella - pistone D.34 | Conn.rod - piston complete D.34 |
| 050 | - | - | - | 2 | - | - | - | 1MCDB81 | Kit biella - pistone D.38 | Conn.rod - piston complete D.38 |
| 050 | - | - | - | - | 2 | - | - | 1MCDB87 | Kit biella - pistone D.38 | Conn.rod - piston complete D.38 |
| 050 | - | - | - | - | - | 2 | - | 1MCDB82 | Kit biella - pistone D.42 | Conn.rod - piston complete D.42 |
| 050 | - | - | - | - | - | - | 2 | 1MCDB84 | Kit biella - pistone D.42 | Conn.rod - piston complete D.42 |
| 060 | 1 | 1 | 1 | 1 | 1 | 1 | 1 | 1CCQ020 | Spia olio completa | Oil sight glass |
| 070 | 1 | 1 | 1 | 1 | 1 | - | - | 1RKC028 | Rubinetto di mandata D14 | Discharge service valve D14 |
| 070 | - | - | - | - | - | 1 | 1 | 1RKC026 | Rubinetto di mandata D16 | Discharge service valve D16 |
| 080 | 1 | 1 | 1 | - | - | - | - | 1PKP110 | Piastra valvole completa | Complete valve plate |
| 080 | - | - | - | 1 | 1 | - | - | 1PKP111 | Piastra valvole completa | Complete valve plate |
| 080 | - | - | - | - | - | 1 | 1 | 1PKP112 | Piastra valvole completa | Complete valve plate |
| 090 | 1 | 1 | 1 | 1 | 1 | 1 | 1 | 1RKA025 | Rubinetto aspirazione D16 | Suction service valve D16 |
| 100 | 1 | 1 | 1 | 1 | 1 | 1 | 1 | 1RKJ070 | Scatola att.el.+piastra | Electrical box and plate |
| 110 | 1 | - | - | - | - | - | - | 1RKK022 | Roto-statore 220/380/3/50 1HP | Stator-rotor 220/380/3/50 1HP |
| 110 | - | 1 | - | - | - | - | - | 1RKK023 | Roto-statore 220/380/3/50 1,5HP | Stator-rotor 220/380/3/50 1,5 HP |
| 110 | - | - | 1 | - | - | - | - | 1RKK024 | Roto-statore 220/380/3/50 1,8HP | Stator-rotor 220/380/3/50 1,8HP |
| 110 | - | - | - | 1 | - | - | - | 1RKK025 | Roto-statore 220/380/3/50 3HP | Stator-rotor 220/380/3/50 3HP |
| 110 | - | - | - | - | 1 | - | - | 1RKK027 | Roto-statore 220/380/3/50 3,5HP | Stator-rotor 220/380/3/50 3,5HP |
| 110 | - | - | - | - | - | 1 | 1 | 1RKK088 | Roto-statore 220/380/3/50 3,8HP | Stator-rotor 220/380/3/50 3,8HP |
| 110 | 1 | - | - | - | - | - | - | 1RKK077 | Roto-statore 220/380/3/60 1,2HP | Stator-rotor 220/380/3/60 1,2HP |
| 110 | - | 1 | - | - | - | - | - | 1RKK079 | Roto-statore 220/380/3/60 1,8HP | Stator-rotor 220/380/3/60 1,8HP |
| 110 | - | - | 1 | - | - | - | - | 1RKK081 | Roto-statore 220/380/3/60 2,2HP | Stator-rotor 220/380/3/60 2,2HP |
| 110 | - | - | - | 1 | - | - | - | 1RKK083 | Roto-statore 220/380/3/60 3,6HP | Stator-rotor 220/380/3/60 3,6 HP |
| 110 | - | - | - | - | 1 | - | - | 1RKK085 | Roto-statore 220/380/3/60 4,2HP | Stator-rotor 220/380/3/60 4,2 HP |
| 110 | - | - | - | - | - | 1 | 1 | 1RKK092 | Roto-statore 220/380/3/60 4,6 HP | Stator-rotor 220/380/3/60 4,6 HP |
| 120 | 1 | 1 | 1 | 1 | 1 | 1 | 1 | 2PJ7050 | Valvola sicurezza BP 40 BAR | Safety valve LP 40 BAR |
| 130 | 1 | 1 | 1 | 1 | 1 | 1 | 1 | 2PJ9050 | Valvola sicurezza AP 53 BAR | Safety valve HP 53 BAR |



OFFICINE MARIO DORIN SINCE 1918
DORIN
INNOVATION

M/COMPRESSORE - M/COMPRESSOR
CDS 11



| RIF. | QUANTITA' | | | | | | | CODICE CODE | DESCRIZIONE | DESCRIPTION |
|------|-----------|---------|---------|---------|---------|---------|---------|----------------|-------------|-------------|
| | CDS101B | CDS151B | CDS181B | CDS301B | CDS351B | CDS381B | CDS401B | | | |

ACCESSORI - ACCESSORIES

| | | | | | | | | | | |
|--|---|---|---|---|---|---|---|----------------|--|---------------------------------|
| | 1 | 1 | 1 | - | - | - | - | 1CCM153 | Serie completa guarnizioni D.34 | Complete gasket set D.34 |
| | - | - | - | 1 | 1 | - | - | 1CCM154 | Serie completa guarnizioni D.38 | Complete gasket set D.38 |
| | - | - | - | - | - | 1 | 1 | 1CCM165 | Serie completa guarnizioni D.42 | Complete gasket set D.42 |
| | 1 | 1 | 1 | 1 | 1 | 1 | 1 | 1CCT050 | Testa raffreddata ad acqua | Water-cooled head |
| | 1 | 1 | 1 | 1 | 1 | 1 | 1 | 1ACS827 | Ventilatore ausiliario | Auxiliary head fan |
| | 1 | 1 | 1 | 1 | 1 | 1 | 1 | 2EG2020 | Resistenza carter 220V | Crankcase heater 220V |
| | 1 | 1 | 1 | 1 | 1 | 1 | 1 | 2EG1050 | Resistenza carter 110V | Crankcase heater 110V |
| | 1 | 1 | 1 | 1 | 1 | 1 | 1 | 2EG1080 | Resistenza carter 24V | Crankcase heater 24V |
| | 1 | 1 | 1 | 1 | 1 | 1 | 1 | 2CC4010 | Modulo per termistori | Thermistors module |



OFFICINE MARIO DORIN SINCE 1918
DORIN
INNOVATION

OFFICINE MARIO DORIN S.p.A.
Via Aretina 388, 50061 Compiobbi - Florence, Italy
Tel. +39 055 62321 1 - Fax +39 055 62321 380

dorin@dorin.com
www.dorin.com

CDS 11 COMM. REV. 03